

# Science

Approved Major	Page
	<a href="#">2</a>

BIOS1301*
S1, T1

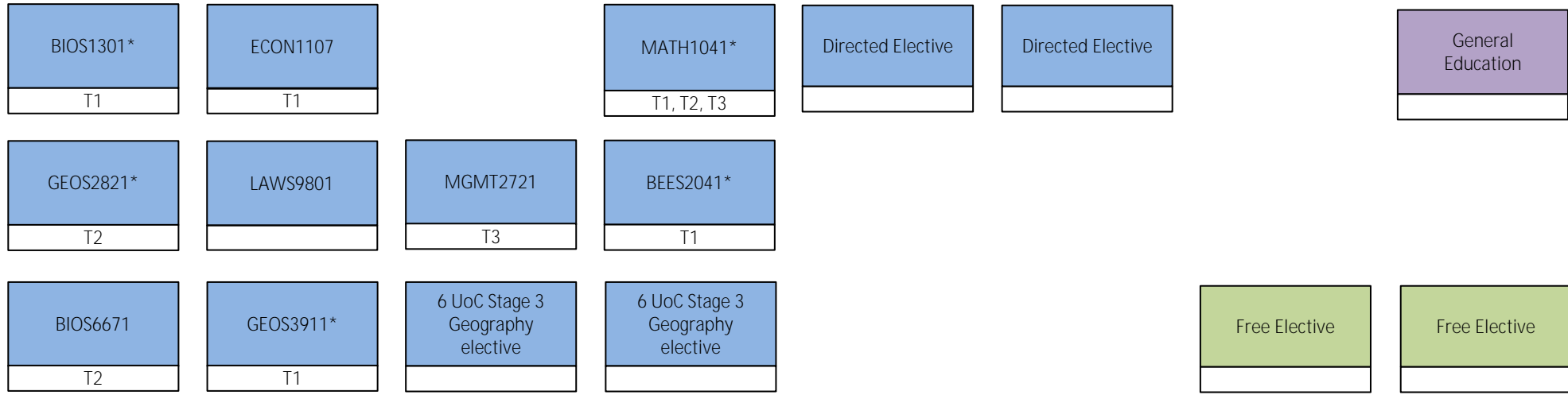
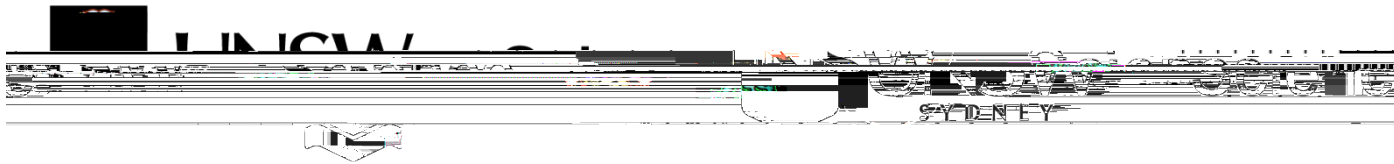
ECON1107
S1, T1











Students are required to complete an approved major, and all the core courses for Environmental Management. Overlap is allowed. Any additional courses remaining (to satisfy 120uoc) must be taken from Directed Elective list.

ARTS1240 (T1), ARTS1241 (T3),  
ARTS2240 (T1), ARTS2244 (T2),  
ARTS3241 (T1), ARTS3242 (T1)

\*Indicates overlap courses between Major and Env Mgmt core

may be from Science or from any other Faculty at UNSW.

GEOS2021 (T2), GEOS2241 (T3), GEOS2291 (T3), GEOS2641 (T1),  
GEOS2711 (T2), GEOS2721 (T3)

cannot be Science courses

GEOS3071 (T2), GEOS3611 (T2), GEOS3721 (T3), GEOS3731 (T1),  
GEOS3733 (T3), GEOS3761 (T2), GEOS3811 (T3), GEOS3821 (T1), GEOS3921 (T3)

GENSxxxx courses are not allowed in Science degrees

Students cannot complete more than 72 UoC of Level 1 courses .

Information correct for students commencing the Bachelor of Environmental Management in 2017

Student ID: \_\_\_\_\_  
 Name: \_\_\_\_\_  
 Date: \_\_\_\_\_ Advisor: \_\_\_\_\_

\_\_\_\_ UOC Completed  
 \_\_\_\_ UOC Remaining

BIOS1301  
S1, T1

ECON1107  
S1, T1

GEOS1701\*  
S2, T2, summer

GEOS2821\*  
S1, T2

LAWS9801

MGMT2721  
S1, T3

BEEES2041\*  
S1, T1

GEOS3911\*  
S1, T1

BIOS3091